

# MC100EPT26

## 3.3V 1:2 Fanout Differential LVPECL/LVDS to LVTTTL Translator

### Description

The MC100EPT26 is a 1:2 Fanout Differential LVPECL/LVDS to LVTTTL translator. Because LVPECL (Positive ECL) or LVDS levels are used only +3.3 V and ground are required. The small outline 8-lead package and the 1:2 fanout design of the EPT26 makes it ideal for applications which require the low skew duplication of a signal in a tightly packed PC board.

The  $V_{BB}$  output allows the EPT26 to be used in a single-ended input mode. In this mode the  $V_{BB}$  output is tied to the  $\overline{D0}$  input for a non-inverting buffer or the  $D0$  input for an inverting buffer. If used, the  $V_{BB}$  pin should be bypassed to ground with  $> 0.01 \mu\text{F}$  capacitor. For a single-ended direct connection, use an external voltage reference source such as a resistor divider. Do not use  $V_{BB}$  for a single-ended direct connection or port to another device.

### Features

- 1.4 ns Typical Propagation Delay
- Maximum Frequency  $> 275$  MHz Typical
- The 100 Series Contains Temperature Compensation
- Operating Range:  $V_{CC} = 3.0$  V to 3.6 V with  $GND = 0$  V
- 24 mA TTL outputs
- Q Outputs Will Default LOW with Inputs Open or at  $V_{EE}$
- $V_{BB}$  Output
- Pb-Free Packages are Available



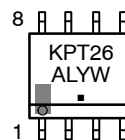
ON Semiconductor®

<http://onsemi.com>

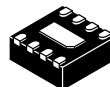
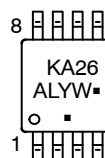
### MARKING DIAGRAMS\*



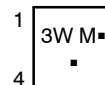
SO-8  
D SUFFIX  
CASE 751



TSSOP-8  
DT SUFFIX  
CASE 948R



DFN8  
MN SUFFIX  
CASE 506AA



A = Assembly Location  
L = Wafer Lot  
Y = Year  
W = Work Week  
M = Date Code  
▪ = Pb-Free Package

(Note: Microdot may be in either location)

\*For additional marking information, refer to Application Note AND8002/D.

### ORDERING INFORMATION

See detailed ordering and shipping information in the package dimensions section on page 5 of this data sheet.

# MC100EPT26

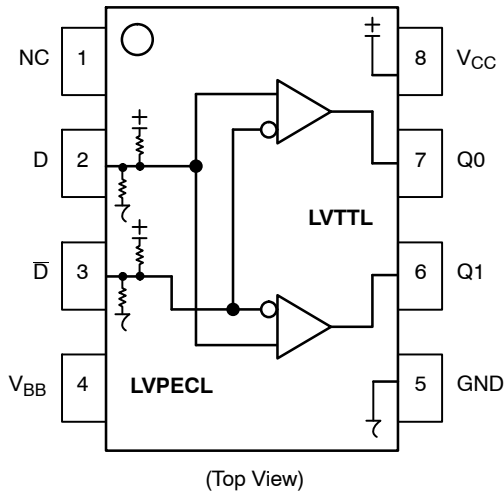


Figure 1. 8-Lead Pinout and Logic Diagram

Table 1. PIN DESCRIPTION

| Pin             | Function                                                                                                                                                                       |
|-----------------|--------------------------------------------------------------------------------------------------------------------------------------------------------------------------------|
| Q0, Q1          | LVTTTL Outputs                                                                                                                                                                 |
| D0**, D1**      | Differential LVPECL Inputs Pair                                                                                                                                                |
| V <sub>CC</sub> | Positive Supply                                                                                                                                                                |
| V <sub>BB</sub> | Output Reference Voltage                                                                                                                                                       |
| GND             | Ground                                                                                                                                                                         |
| NC              | No Connect                                                                                                                                                                     |
| EP              | (DFN8 only) Thermal exposed pad must be connected to a sufficient thermal conduit. Electrically connect to the most negative supply (GND) or leave unconnected, floating open. |

\*\* Pins will default to V<sub>CC</sub>/2 when left open.

Table 2. ATTRIBUTES

| Characteristics                                               |                        | Value                |             |
|---------------------------------------------------------------|------------------------|----------------------|-------------|
| Internal Input Pulldown Resistor                              |                        | 50 kΩ                |             |
| Internal Input Pullup Resistor                                |                        | 50 kΩ                |             |
| ESD Protection                                                | Human Body Model       | > 1.5 kV             |             |
|                                                               | Machine Model          | > 100 V              |             |
|                                                               | Charged Device Model   | > 2 kV               |             |
| Moisture Sensitivity, Indefinite Time Out of Drypack (Note 1) |                        | Pb Pkg               | Pb-Free Pkg |
|                                                               | SO-8                   | Level 1              | Level 1     |
|                                                               | TSSOP-8                | Level 1              | Level 3     |
|                                                               | DFN8                   | Level 1              | Level 1     |
| Flammability Rating                                           | Oxygen Index: 28 to 34 | UL 94 V-0 @ 0.125 in |             |
| Transistor Count                                              |                        | 117 Devices          |             |
| Meets or exceeds JEDEC Spec EIA/JESD78 IC Latchup Test        |                        |                      |             |

1. For additional information, see Application Note AND8003/D.

# MC100EPT26

**Table 3. MAXIMUM RATINGS**

| Symbol           | Parameter                                | Condition 1      | Condition 2                      | Rating      | Unit         |
|------------------|------------------------------------------|------------------|----------------------------------|-------------|--------------|
| V <sub>CC</sub>  | Positive Power Supply                    | GND = 0 V        |                                  | 3.8         | V            |
| V <sub>IN</sub>  | Input Voltage                            | GND = 0 V        | V <sub>I</sub> ≤ V <sub>CC</sub> | 0 to 3.8    | V            |
| I <sub>BB</sub>  | V <sub>BB</sub> Sink/Source              |                  |                                  | ± 0.5       | mA           |
| T <sub>A</sub>   | Operating Temperature Range              |                  |                                  | -40 to +85  | °C           |
| T <sub>stg</sub> | Storage Temperature Range                |                  |                                  | -65 to +150 | °C           |
| θ <sub>JA</sub>  | Thermal Resistance (Junction-to-Ambient) | 0 lfp<br>500 lfp | SOIC-8<br>SOIC-8                 | 190<br>130  | °C/W<br>°C/W |
| θ <sub>JC</sub>  | Thermal Resistance (Junction-to-Case)    | Standard Board   | SOIC-8                           | 41 to 44    | °C/W         |
| θ <sub>JA</sub>  | Thermal Resistance (Junction-to-Ambient) | 0 lfp<br>500 lfp | TSSOP-8<br>TSSOP-8               | 185<br>140  | °C/W<br>°C/W |
| θ <sub>JC</sub>  | Thermal Resistance (Junction-to-Case)    | Standard Board   | TSSOP-8                          | 41 to 44    | °C/W         |
| θ <sub>JA</sub>  | Thermal Resistance (Junction-to-Ambient) | 0 lfp<br>500 lfp | DFN8<br>DFN8                     | 129<br>84   | °C/W<br>°C/W |
| T <sub>sol</sub> | Wave Solder                              | Pb<br>Pb-Free    |                                  | 265<br>265  | °C           |
| θ <sub>JC</sub>  | Thermal Resistance (Junction-to-Case)    | (Note 2)         | DFN8                             | 35 to 40    | °C/W         |

Stresses exceeding Maximum Ratings may damage the device. Maximum Ratings are stress ratings only. Functional operation above the Recommended Operating Conditions is not implied. Extended exposure to stresses above the Recommended Operating Conditions may affect device reliability.

2. JEDEC standard multilayer board – 2S2P (2 signal, 2 power)

**Table 4. PECL INPUT DC CHARACTERISTICS** V<sub>CC</sub> = 3.3 V; GND = 0.0 V (Note 3)

| Symbol             | Characteristic                                               | -40°C   |              |      | 25°C         |      |      | 85°C         |      |      | Unit |
|--------------------|--------------------------------------------------------------|---------|--------------|------|--------------|------|------|--------------|------|------|------|
|                    |                                                              | Min     | Typ          | Max  | Min          | Typ  | Max  | Min          | Typ  | Max  |      |
| V <sub>IH</sub>    | Input HIGH Voltage (Single-Ended)                            | 2075    |              | 2420 | 2075         |      | 2420 | 2075         |      | 2420 | mV   |
| V <sub>IL</sub>    | Input LOW Voltage (Single-Ended)                             | 1355    |              | 1675 | 1355         |      | 1675 | 1355         |      | 1675 | mV   |
| V <sub>BB</sub>    | Output Voltage Reference                                     | 1775    | 1875         | 1975 | 1775         | 1875 | 1975 | 1775         | 1875 | 1975 | V    |
| V <sub>IHCMR</sub> | Input HIGH Voltage Common Mode Range (Differential) (Note 4) | 1.2     |              | 3.3  | 1.2          |      | 3.3  | 1.2          |      | 3.3  | V    |
| I <sub>IH</sub>    | Input HIGH Current                                           |         |              | 150  |              |      | 150  |              |      | 150  | μA   |
| I <sub>IL</sub>    | Input LOW Current                                            | D<br>D̄ | -150<br>-150 |      | -150<br>-150 |      |      | -150<br>-150 |      |      | μA   |

NOTE: Device will meet the specifications after thermal equilibrium has been established when mounted in a test socket or printed circuit board with maintained transverse airflow greater than 500 lfp. Electrical parameters are guaranteed only over the declared operating temperature range. Functional operation of the device exceeding these conditions is not implied. Device specification limit values are applied individually under normal operating conditions and not valid simultaneously.

3. Input parameters vary 1:1 with V<sub>CC</sub>.

4. V<sub>IHCMR</sub> min varies 1:1 with GND, V<sub>IHCMR</sub> max varies 1:1 with V<sub>CC</sub>. The V<sub>IHCMR</sub> range is referenced to the most positive side of the differential input signal.

# MC100EPT26

**Table 5. TTL OUTPUT DC CHARACTERISTICS**  $V_{CC} = 3.3\text{ V}$ ;  $GND = 0.0\text{ V}$ ;  $T_A = -40^\circ\text{C}$  to  $85^\circ\text{C}$

| Symbol    | Characteristic               | Condition                 | Min | Typ | Max  | Unit |
|-----------|------------------------------|---------------------------|-----|-----|------|------|
| $V_{OH}$  | Output HIGH Voltage          | $I_{OH} = -3.0\text{ mA}$ | 2.4 |     |      | V    |
| $V_{OL}$  | Output LOW Voltage           | $I_{OL} = 24\text{ mA}$   |     |     | 0.5  | V    |
| $I_{CCH}$ | Power Supply Current         |                           | 10  | 25  | 35   | mA   |
| $I_{CCL}$ | Power Supply Current         |                           | 15  | 34  | 40   | mA   |
| $I_{OS}$  | Output Short Circuit Current |                           | -50 |     | -150 | mA   |

NOTE: Device will meet the specifications after thermal equilibrium has been established when mounted in a test socket or printed circuit board with maintained transverse airflow greater than 500 lfm. Electrical parameters are guaranteed only over the declared operating temperature range. Functional operation of the device exceeding these conditions is not implied. Device specification limit values are applied individually under normal operating conditions and not valid simultaneously.

**Table 6. AC CHARACTERISTICS**  $V_{CC} = 3.0\text{ V}$  to  $3.6\text{ V}$ ;  $GND = 0.0\text{ V}$  (Note 5)

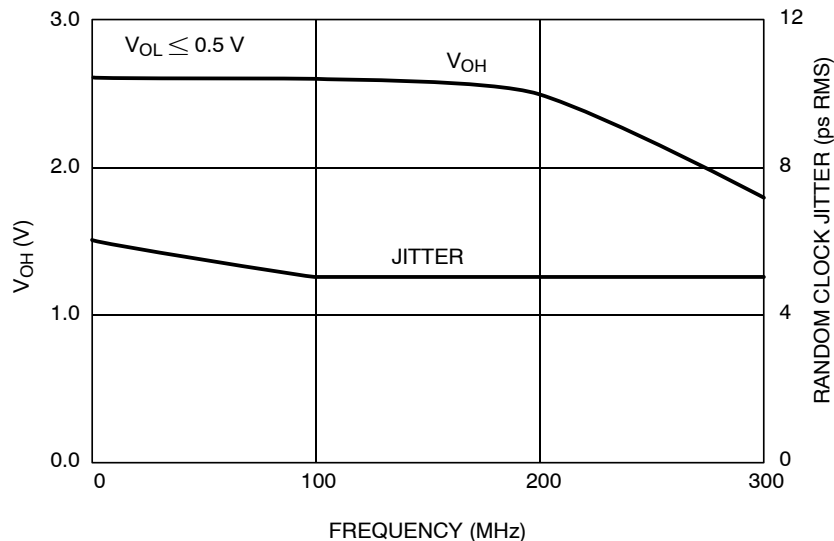
| Symbol                                 | Characteristic                                                                          | -40°C |     |      | 25°C |     |      | 85°C |     |      | Unit |
|----------------------------------------|-----------------------------------------------------------------------------------------|-------|-----|------|------|-----|------|------|-----|------|------|
|                                        |                                                                                         | Min   | Typ | Max  | Min  | Typ | Max  | Min  | Typ | Max  |      |
| $f_{max}$                              | Maximum Frequency (Figure 2)                                                            | 275   | 350 |      | 275  | 350 |      | 275  | 350 |      | MHz  |
| $t_{PLH}$ ,<br>$t_{PHL}$               | Propagation Delay to Output Differential (Note 6)                                       | 1.2   | 1.5 | 2.0  | 1.2  | 1.5 | 2.0  | 1.3  | 1.7 | 2.2  | ns   |
| $t_{SK++}$<br>$t_{SK--}$<br>$t_{SKPP}$ | Within Device Skew++<br>Within Device Skew--<br>Device-to-Device Skew (Note 7)          |       | 15  | 60   |      | 15  | 60   |      | 20  | 85   | ps   |
| $t_{JITTER}$                           | Random Clock Jitter (RMS) (Figure 2)<br>@ $\leq 200\text{ MHz}$<br>@ $> 200\text{ MHz}$ |       | 6   | 30   |      | 6   | 30   |      | 6   | 30   | ps   |
| $V_{PP}$                               | Input Voltage Swing (Differential Configuration)                                        | 150   | 800 | 1200 | 150  | 800 | 1200 | 150  | 800 | 1200 | mV   |
| $t_r$<br>$t_f$                         | Output Rise/Fall Times<br>(0.8V – 2.0V)<br>Q, $\bar{Q}$                                 | 330   | 600 | 950  | 330  | 600 | 950  | 330  | 650 | 950  | ps   |

NOTE: Device will meet the specifications after thermal equilibrium has been established when mounted in a test socket or printed circuit board with maintained transverse airflow greater than 500 lfm. Electrical parameters are guaranteed only over the declared operating temperature range. Functional operation of the device exceeding these conditions is not implied. Device specification limit values are applied individually under normal operating conditions and not valid simultaneously.

5. Measured with a 750 mV 50% duty-cycle clock source.  $R_L = 500\ \Omega$  to GND and  $C_L = 20\text{ pF}$  to GND. Refer to Figure 3.

6. Reference ( $V_{CC} = 3.3\text{ V} \pm 5\%$ ;  $GND = 0\text{ V}$ )

7. Skews are measured between outputs under identical transitions.



**Figure 2. Typical  $V_{OH}$  / Jitter versus Frequency (25°C)**

# MC100EPT26

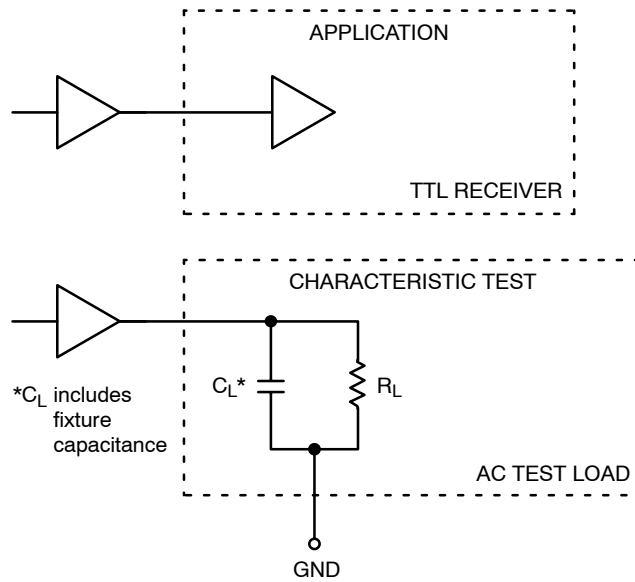


Figure 3. TTL Output Loading Used for Device Evaluation

## ORDERING INFORMATION

| Device          | Package              | Shipping <sup>†</sup> |
|-----------------|----------------------|-----------------------|
| MC100EPT26D     | SOIC-8               | 98 Units / Rail       |
| MC100EPT26DG    | SOIC-8<br>(Pb-Free)  | 98 Units / Rail       |
| MC100EPT26DR2   | SOIC-8               | 2500 / Tape & Reel    |
| MC100EPT26DR2G  | SOIC-8<br>(Pb-Free)  | 2500 / Tape & Reel    |
| MC100EPT26DT    | TSSOP-8              | 100 Units / Rail      |
| MC100EPT26DTG   | TSSOP-8<br>(Pb-Free) | 100 Units / Rail      |
| MC100EPT26DTR2  | TSSOP-8              | 2500 / Tape & Reel    |
| MC100EPT26DTR2G | TSSOP-8<br>(Pb-Free) | 2500 / Tape & Reel    |
| MC100EPT26MNR4  | DFN8                 | 1000 / Tape & Reel    |
| MC100EPT26MNR4G | DFN8<br>(Pb-Free)    | 1000 / Tape & Reel    |

<sup>†</sup>For information on tape and reel specifications, including part orientation and tape sizes, please refer to our Tape and Reel Packaging Specifications Brochure, BRD8011/D.

## MC100EPT26

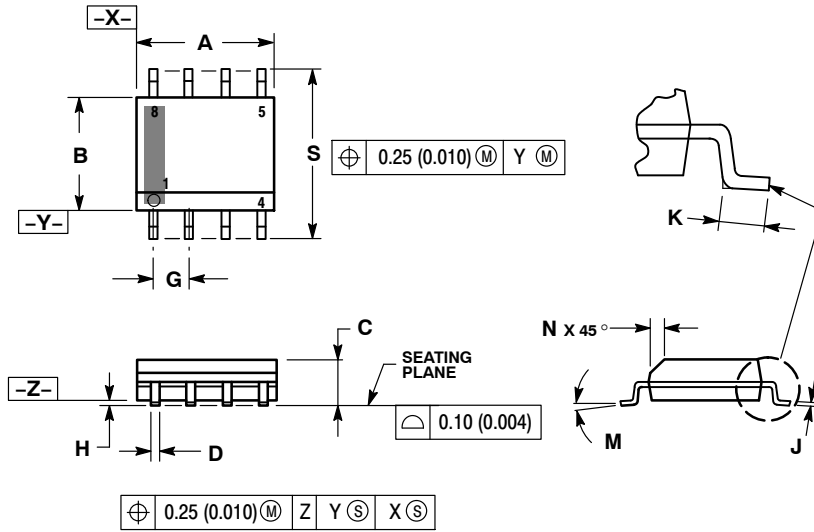
### Resource Reference of Application Notes

- AN1405/D** – ECL Clock Distribution Techniques
- AN1406/D** – Designing with PECL (ECL at +5.0 V)
- AN1503/D** – ECLinPS™ I/O SPiCE Modeling Kit
- AN1504/D** – Metastability and the ECLinPS Family
- AN1568/D** – Interfacing Between LVDS and ECL
- AN1672/D** – The ECL Translator Guide
- AND8001/D** – Odd Number Counters Design
- AND8002/D** – Marking and Date Codes
- AND8020/D** – Termination of ECL Logic Devices
- AND8066/D** – Interfacing with ECLinPS
- AND8090/D** – AC Characteristics of ECL Devices

# MC100EPT26

## PACKAGE DIMENSIONS

SOIC-8 NB  
CASE 751-07  
ISSUE AJ

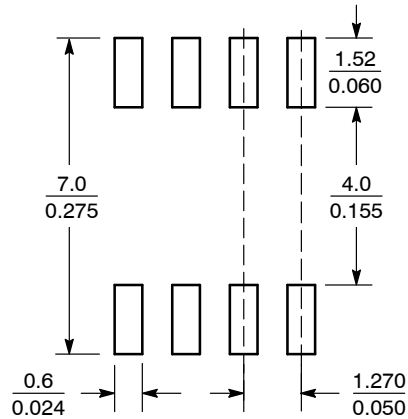


### NOTES:

1. DIMENSIONING AND TOLERANCING PER ANSI Y14.5M, 1982.
2. CONTROLLING DIMENSION: MILLIMETER.
3. DIMENSION A AND B DO NOT INCLUDE MOLD PROTRUSION.
4. MAXIMUM MOLD PROTRUSION 0.15 (0.006) PER SIDE.
5. DIMENSION D DOES NOT INCLUDE DAMBAR PROTRUSION. ALLOWABLE DAMBAR PROTRUSION SHALL BE 0.127 (0.005) TOTAL IN EXCESS OF THE D DIMENSION AT MAXIMUM MATERIAL CONDITION.
6. 751-01 THRU 751-06 ARE OBSOLETE. NEW STANDARD IS 751-07.

| DIM | MILLIMETERS |      | INCHES    |       |
|-----|-------------|------|-----------|-------|
|     | MIN         | MAX  | MIN       | MAX   |
| A   | 4.80        | 5.00 | 0.189     | 0.197 |
| B   | 3.80        | 4.00 | 0.150     | 0.157 |
| C   | 1.35        | 1.75 | 0.053     | 0.069 |
| D   | 0.33        | 0.51 | 0.013     | 0.020 |
| G   | 1.27 BSC    |      | 0.050 BSC |       |
| H   | 0.10        | 0.25 | 0.004     | 0.010 |
| J   | 0.19        | 0.25 | 0.007     | 0.010 |
| K   | 0.40        | 1.27 | 0.016     | 0.050 |
| M   | 0°          | 8°   | 0°        | 8°    |
| N   | 0.25        | 0.50 | 0.010     | 0.020 |
| S   | 5.80        | 6.20 | 0.228     | 0.244 |

### SOLDERING FOOTPRINT\*



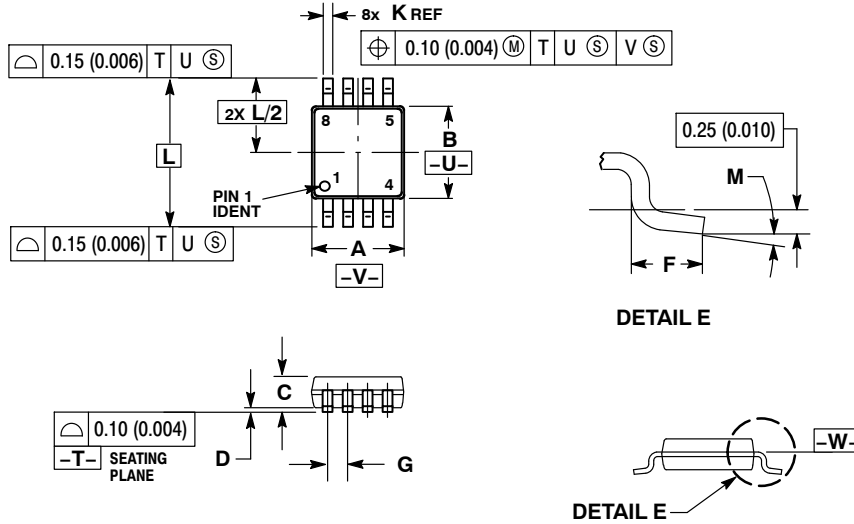
SCALE 6:1  $\left(\frac{\text{mm}}{\text{inches}}\right)$

\*For additional information on our Pb-Free strategy and soldering details, please download the ON Semiconductor Soldering and Mounting Techniques Reference Manual, SOLDERRM/D.

# MC100EPT26

## PACKAGE DIMENSIONS

TSSOP-8  
DT SUFFIX  
PLASTIC TSSOP PACKAGE  
CASE 948R-02  
ISSUE A



**NOTES:**

1. DIMENSIONING AND TOLERANCING PER ANSI Y14.5M, 1982.
2. CONTROLLING DIMENSION: MILLIMETER.
3. DIMENSION A DOES NOT INCLUDE MOLD FLASH. PROTRUSIONS OR GATE BURRS SHALL NOT EXCEED 0.15 (0.006) PER SIDE.
4. DIMENSION B DOES NOT INCLUDE INTERLEAD FLASH OR PROTRUSION. INTERLEAD FLASH OR PROTRUSION SHALL NOT EXCEED 0.25 (0.010) PER SIDE.
5. TERMINAL NUMBERS ARE SHOWN FOR REFERENCE ONLY.
6. DIMENSION A AND B ARE TO BE DETERMINED AT DATUM PLANE -W-.

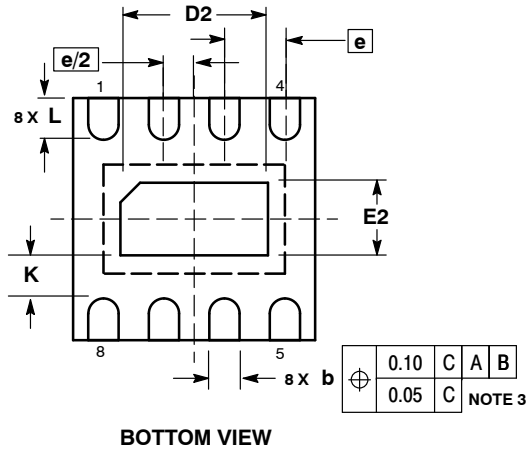
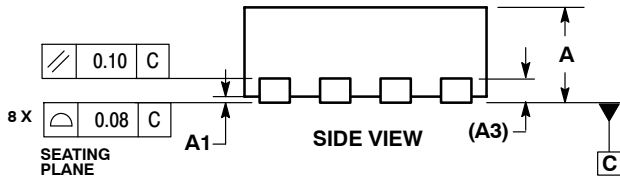
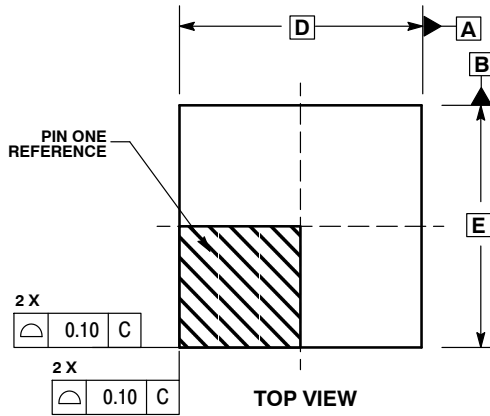
| DIM | MILLIMETERS |      | INCHES    |       |
|-----|-------------|------|-----------|-------|
|     | MIN         | MAX  | MIN       | MAX   |
| A   | 2.90        | 3.10 | 0.114     | 0.122 |
| B   | 2.90        | 3.10 | 0.114     | 0.122 |
| C   | 0.80        | 1.10 | 0.031     | 0.043 |
| D   | 0.05        | 0.15 | 0.002     | 0.006 |
| F   | 0.40        | 0.70 | 0.016     | 0.028 |
| G   | 0.65 BSC    |      | 0.026 BSC |       |
| K   | 0.25        | 0.40 | 0.010     | 0.016 |
| L   | 4.90 BSC    |      | 0.193 BSC |       |
| M   | 0°          | 6°   | 0°        | 6°    |



# MC100EPT26

## PACKAGE DIMENSIONS

DFN8  
CASE 506AA-01  
ISSUE D



### NOTES:

1. DIMENSIONING AND TOLERANCING PER ASME Y14.5M, 1994 .
2. CONTROLLING DIMENSION: MILLIMETERS.
3. DIMENSION b APPLIES TO PLATED TERMINAL AND IS MEASURED BETWEEN 0.25 AND 0.30 MM FROM TERMINAL.
4. COPLANARITY APPLIES TO THE EXPOSED PAD AS WELL AS THE TERMINALS.

| MILLIMETERS |      |      |
|-------------|------|------|
| DIM         | MIN  | MAX  |
| A           | 0.80 | 1.00 |
| A1          | 0.00 | 0.05 |
| A3          | 0.20 | REF  |
| b           | 0.20 | 0.30 |
| D           | 2.00 | BSC  |
| D2          | 1.10 | 1.30 |
| E           | 2.00 | BSC  |
| E2          | 0.70 | 0.90 |
| e           | 0.50 | BSC  |
| K           | 0.20 | ---  |
| L           | 0.25 | 0.35 |

ECLinPS is a trademark of Semiconductor Components Industries, LLC (SCILLC).

**ON Semiconductor** and **ON** are registered trademarks of Semiconductor Components Industries, LLC (SCILLC). SCILLC reserves the right to make changes without further notice to any products herein. SCILLC makes no warranty, representation or guarantee regarding the suitability of its products for any particular purpose, nor does SCILLC assume any liability arising out of the application or use of any product or circuit, and specifically disclaims any and all liability, including without limitation special, consequential or incidental damages. "Typical" parameters which may be provided in SCILLC data sheets and/or specifications can and do vary in different applications and actual performance may vary over time. All operating parameters, including "Typicals" must be validated for each customer application by customer's technical experts. SCILLC does not convey any license under its patent rights nor the rights of others. SCILLC products are not designed, intended, or authorized for use as components in systems intended for surgical implant into the body, or other applications intended to support or sustain life, or for any other application in which the failure of the SCILLC product could create a situation where personal injury or death may occur. Should Buyer purchase or use SCILLC products for any such unintended or unauthorized application, Buyer shall indemnify and hold SCILLC and its officers, employees, subsidiaries, affiliates, and distributors harmless against all claims, costs, damages, and expenses, and reasonable attorney fees arising out of, directly or indirectly, any claim of personal injury or death associated with such unintended or unauthorized use, even if such claim alleges that SCILLC was negligent regarding the design or manufacture of the part. SCILLC is an Equal Opportunity/Affirmative Action Employer. This literature is subject to all applicable copyright laws and is not for resale in any manner.

### PUBLICATION ORDERING INFORMATION

**LITERATURE FULFILLMENT:**  
Literature Distribution Center for ON Semiconductor  
P.O. Box 5163, Denver, Colorado 80217 USA  
**Phone:** 303-675-2175 or 800-344-3860 Toll Free USA/Canada  
**Fax:** 303-675-2176 or 800-344-3867 Toll Free USA/Canada  
**Email:** orderlit@onsemi.com

**N. American Technical Support:** 800-282-9855 Toll Free  
USA/Canada  
**Europe, Middle East and Africa Technical Support:**  
Phone: 421 33 790 2910  
**Japan Customer Focus Center**  
Phone: 81-3-5773-3850

**ON Semiconductor Website:** [www.onsemi.com](http://www.onsemi.com)  
**Order Literature:** <http://www.onsemi.com/orderlit>  
For additional information, please contact your local Sales Representative